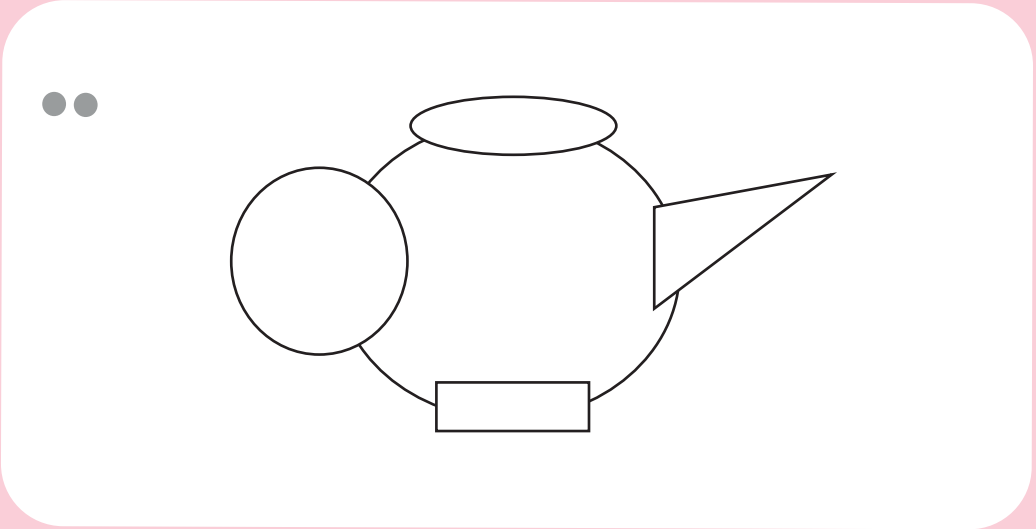
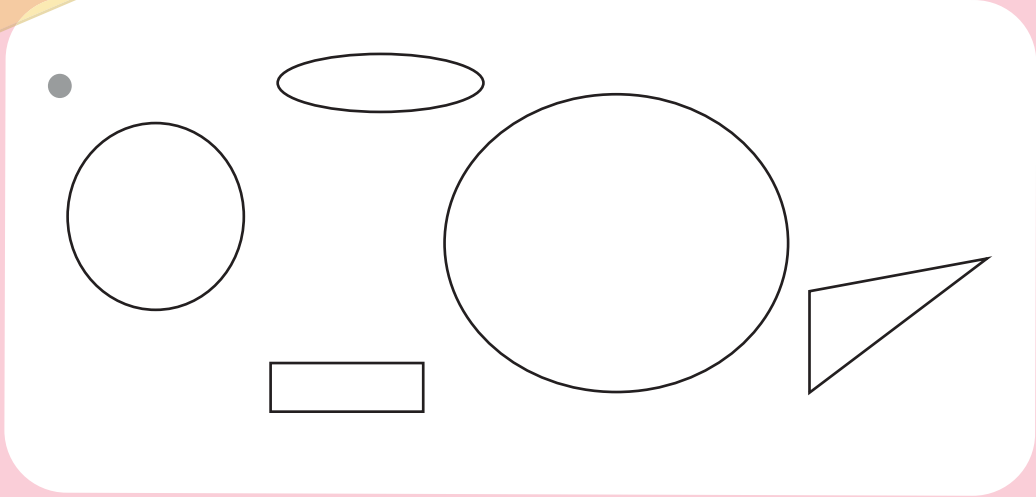


قارچ را به ترتیب زیر نقاشی کن.

The image shows a sequence of four steps for drawing a mushroom, arranged in a 2x2 grid. Each step is contained within a light blue rounded rectangle. The top-left rectangle has a yellow torn paper effect at its top-left corner. The top-right rectangle has a dashed horizontal line across the middle of a circle. The bottom-left rectangle shows a fully colored mushroom with a red cap and yellow spots. The bottom-right rectangle shows a white mushroom with a white stem. The entire grid is enclosed in a larger light blue rounded rectangle with a yellow torn paper effect at its bottom-right corner.

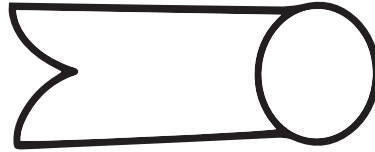
مراحل زیر را به ترتیب انجام بده تا یک قوری بکشی.



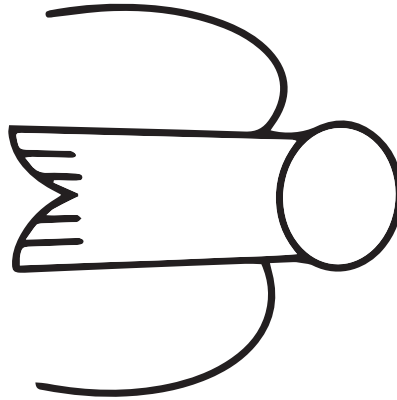


برای کشیدن پرنده به ترتیب مراحل زیر نقاشی کن.

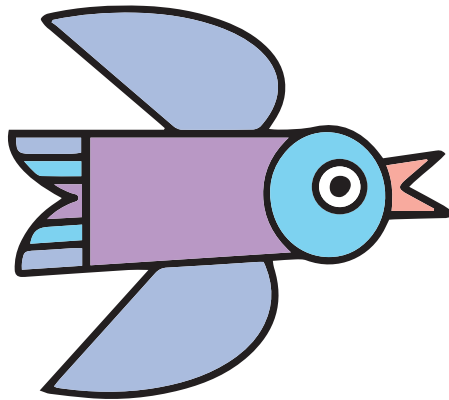
•



••



•••



پرنده را به ترتیب مراحل زیر نقاشی کن.

